

LEVOLOR®

Remote Control Guide



Table of Contents

Thank you for choosing LEVOLOR® InMotion™ motorized window coverings. This product has been custom built for you from the highest quality materials. To avoid errors and save valuable time, please read these instructions to ensure you are properly programming your new remote.

Product Overview

Cellular, Natural, and Roman Shades	1
Banded, Roller and Sheer Shades	2
Wood Blinds	3
Positioning.....	4
Remote Control.....	5
Battery Installation	6
Wall Holder	7

Programming

Getting Started	8
Favorite Position	9
Operating Mode	10
Motor Speed	11
Travel Limits	12
Add or Remove Additional Remote	13

Operation

Operating Instructions	14
------------------------------	----

Additional Information

Troubleshooting	15
Warranty	15
Customer Service	15
Specifications	16
Declarations	16

Visit LEVOLOR.com/InMotionSupport for additional information.

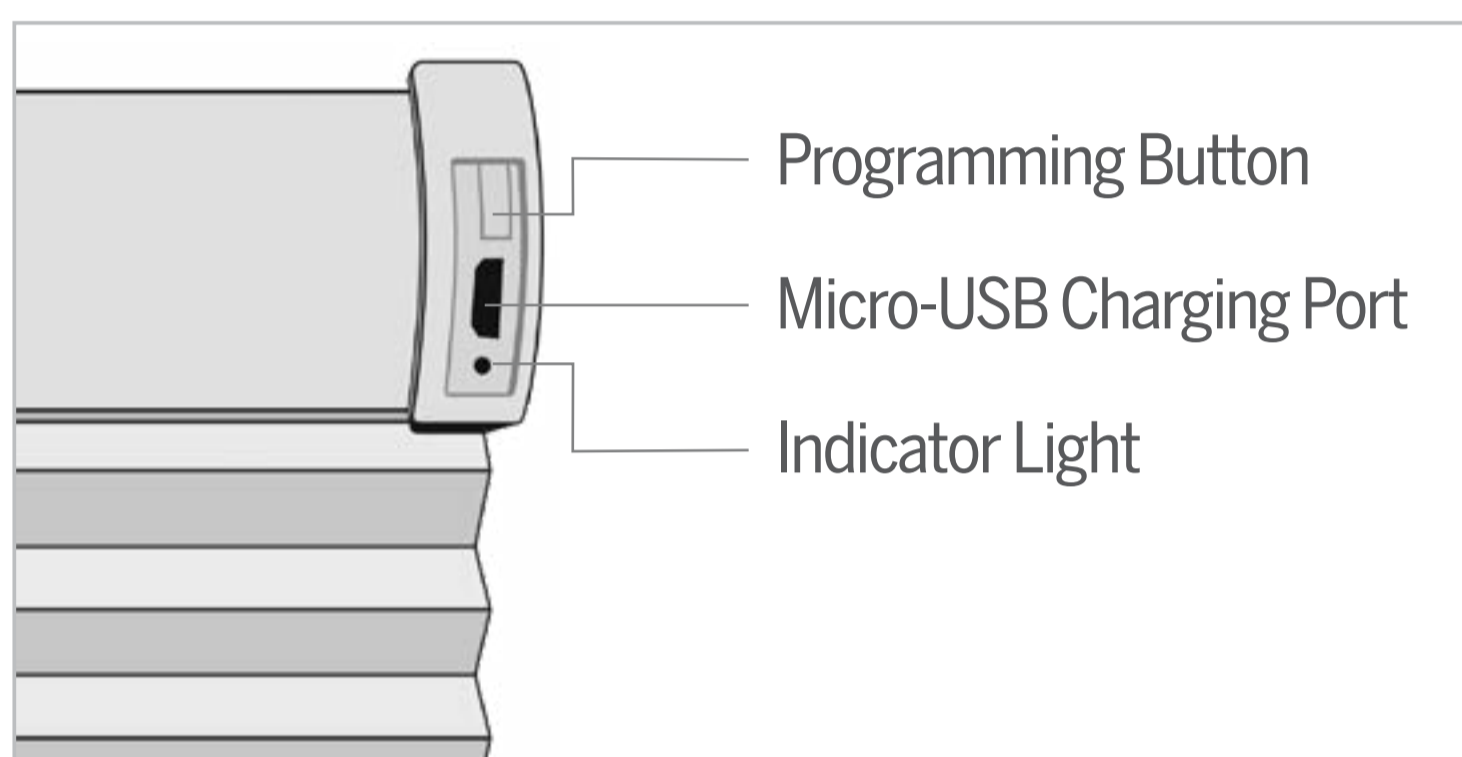
Product Overview

Cellular, Natural, and Roman Shades

Programming

Programming button, charging port, and indicator light are located in the shade's right headrail end cap. Programming button does not act as a manual control and the shade will not move when the button is pressed.

During setup, the shade will confirm programming by jogging, with a slight down and up movement.



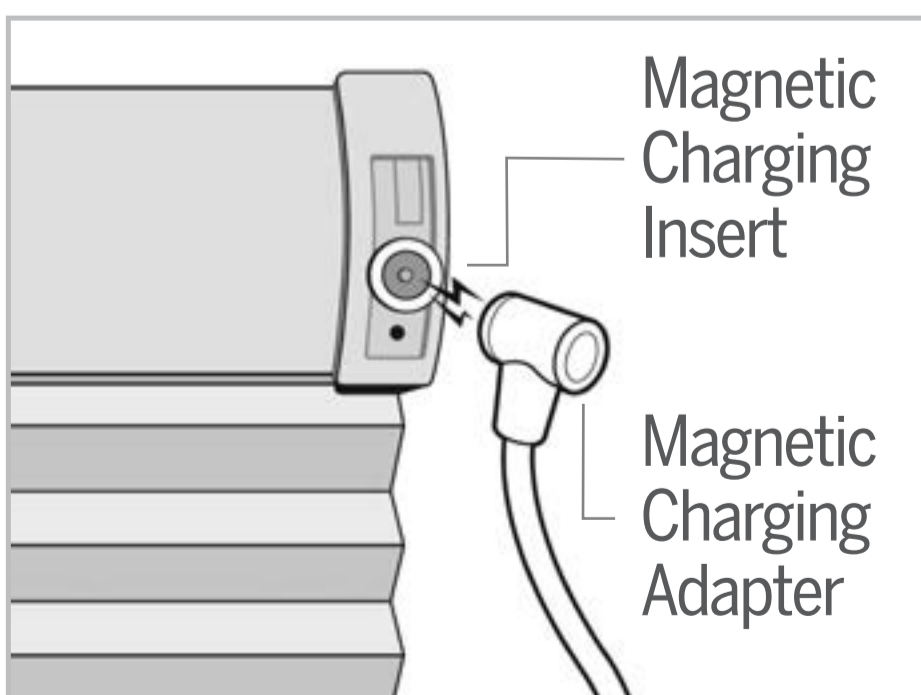
Charging

Magnetic charging insert comes installed in shade. For easy charging, attach the magnetic charging adapter to the micro-USB charging cable and power adapter before connecting to the headrail to charge. For standard charging, remove the magnetic charging insert from the headrail and use the micro-USB charging cable and power adapter.

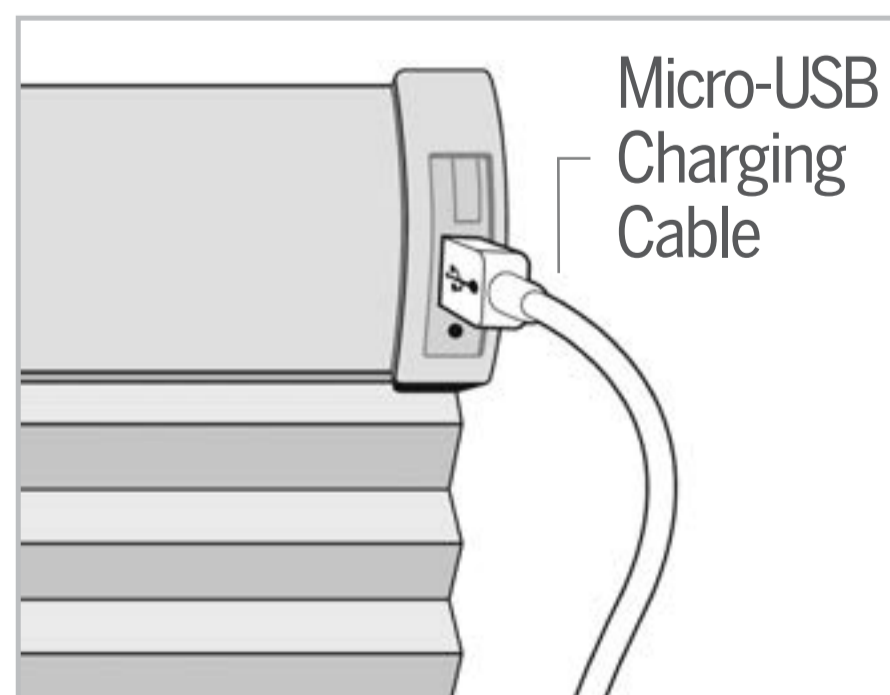
Indicator light will flash red when battery is low, flash green during charging, and remain green when fully charged.

NOTE: Before installation, fully charge shade.

Magnetic Charging



Standard Charging



Product Overview

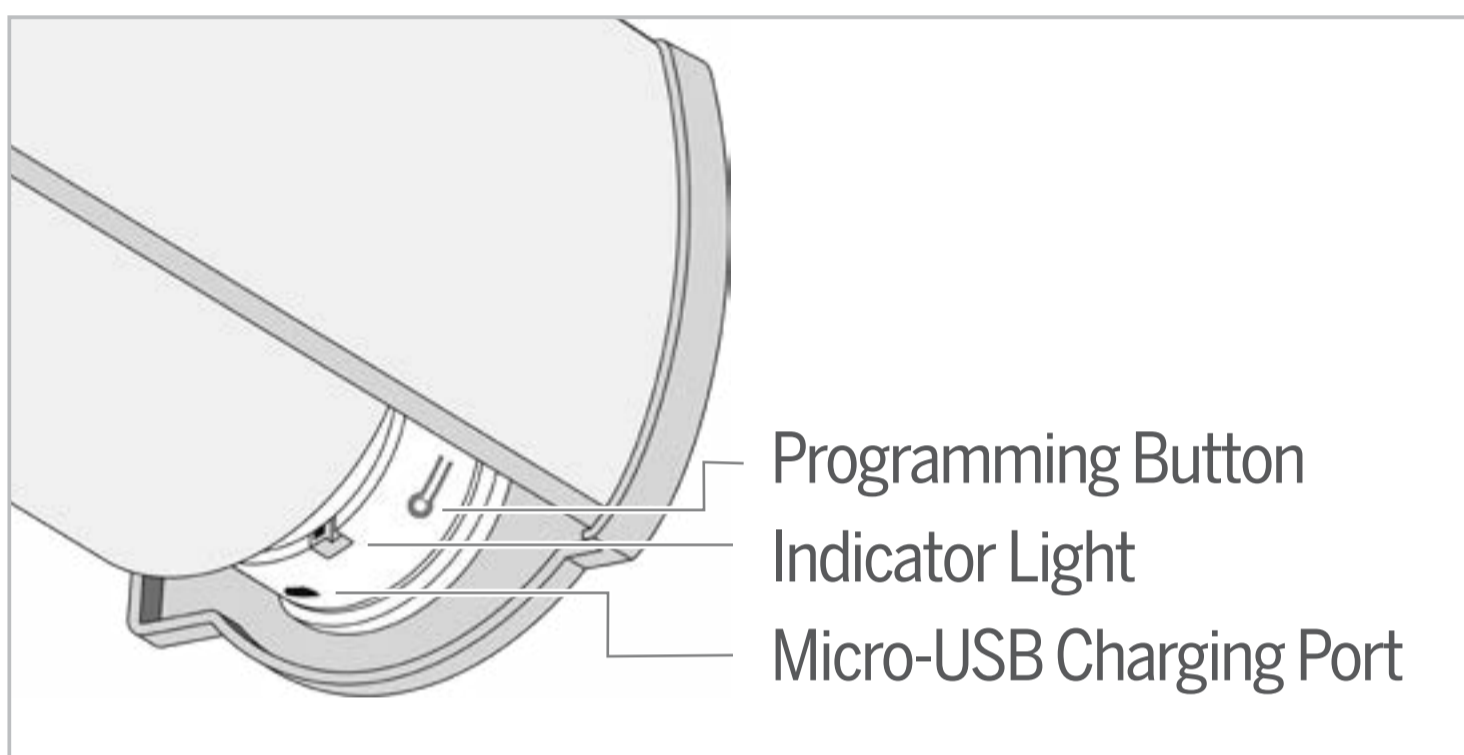
Banded, Roller and Sheer Shades

Programming

Programming button, charging port, and indicator light are located on the right-side of the shade headrail.

Programming button acts as a manual control and the shade will move when the button is pressed.

During setup, the shade will confirm programming by beeping and jogging, with a slight down and up movement.



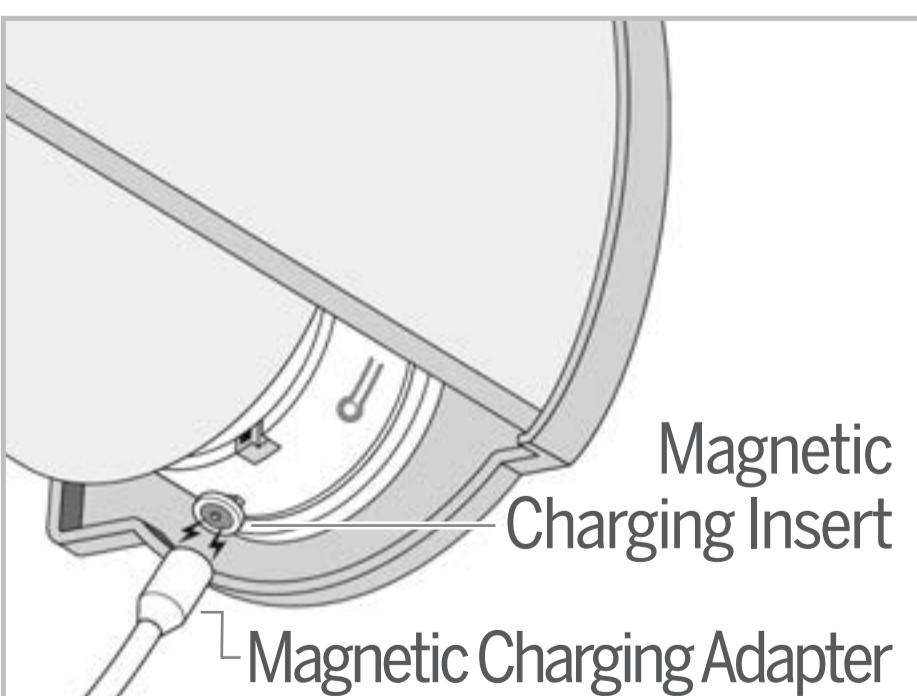
Charging

Magnetic charging insert comes installed in shade. For easy charging, attach the magnetic charging adapter to the micro-USB charging cable and power adapter before connecting to the headrail to charge. For standard charging, remove the magnetic charging insert from the headrail and use the micro-USB charging cable and power adapter.

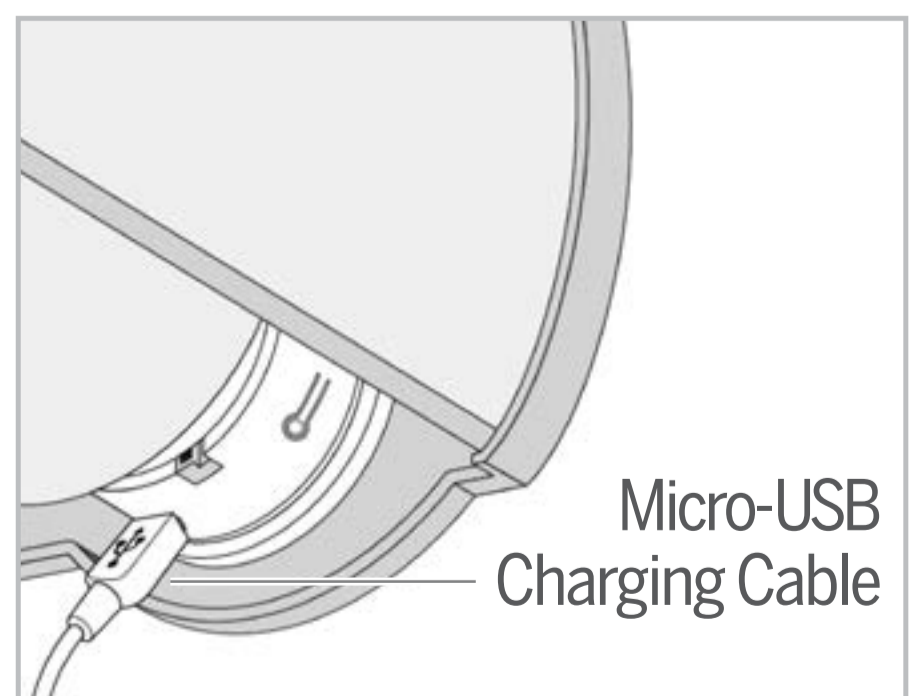
Indicator light will flash red when battery is low, flash green during charging, and remain green when fully charged. Shade will also beep 10 times when in use to indicate a low battery.

NOTE: Before installation, fully charge shade.

Magnetic Charging



Standard Charging



Product Overview

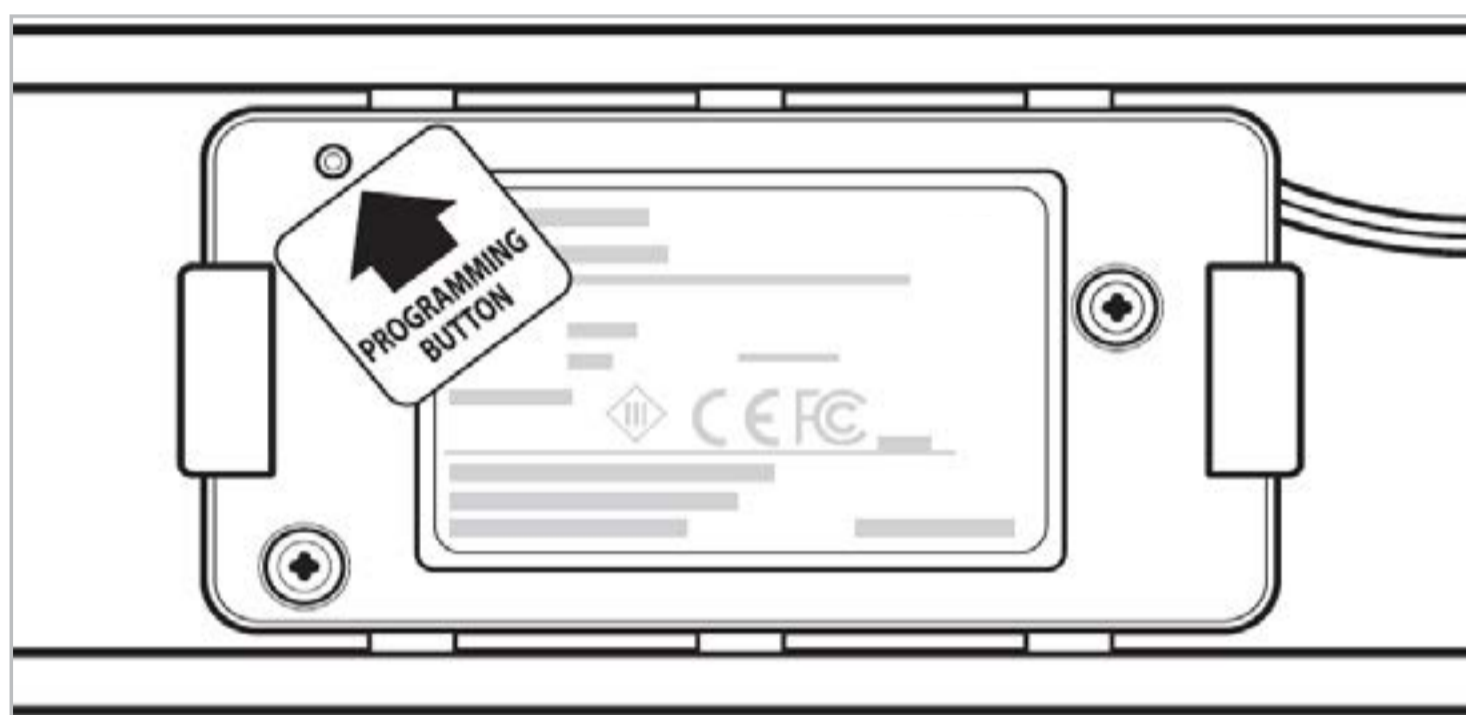
Wood Blinds

Programming

Programming button is located inside the headrail on the left corner of the motor and a paperclip or similar tool must be used to activate.

The programming button is not accessible when mounted. Programming button acts as a manual control and the blind will move when the button is activated.

During setup, the blind will confirm programming by jogging, with a slight down and up movement.



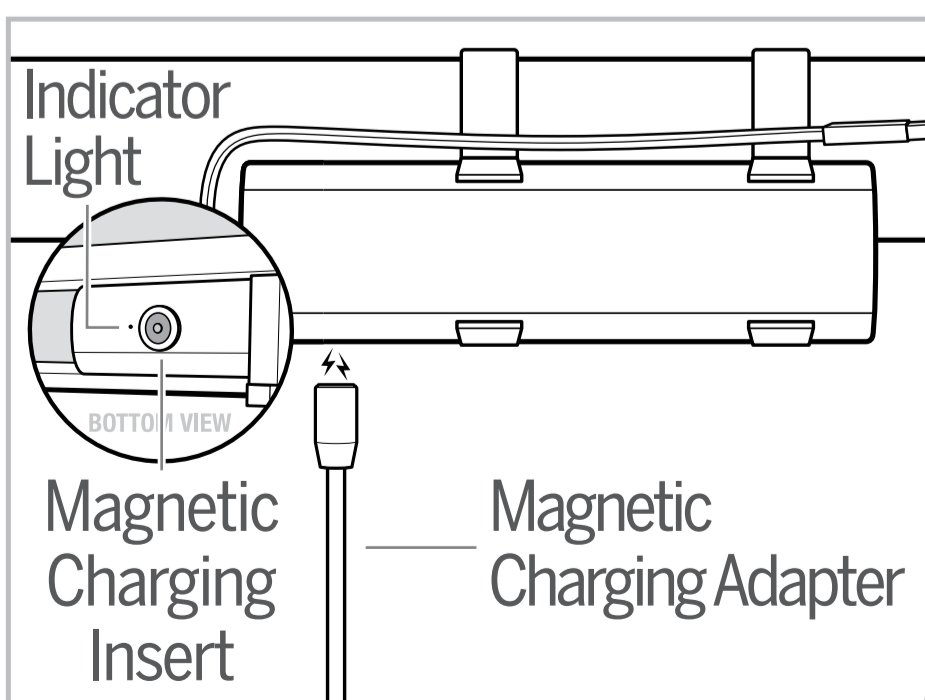
Charging

The rechargeable battery mounts between the headrail and valance. Indicator light and charging port are located on the bottom of the battery. Magnetic charging insert comes installed in battery. For easy charging, attach the magnetic charging adapter to the micro-USB charging cable and power adapter before connecting to the battery to charge. For standard charging, remove the magnetic charging insert from the battery and use the micro-USB charging cable and power adapter.

Indicator light turns red when battery is low. During charging, the light will turn green when fully charged.

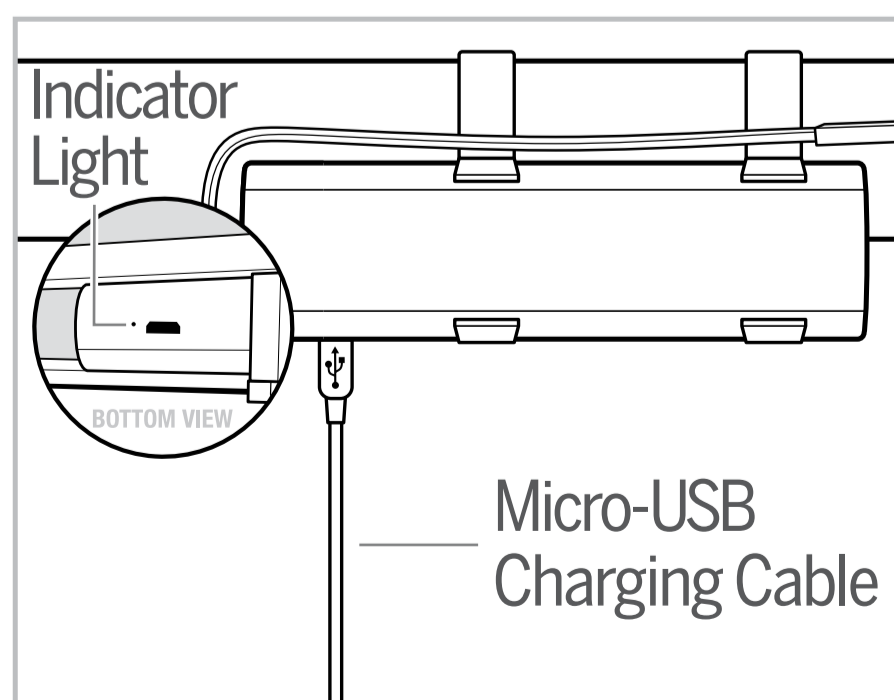
NOTE: Before installation, fully charge battery.

Magnetic Charging



Valance omitted for clarity

Standard Charging



Valance omitted for clarity

Product Overview

Positioning

Each blind or shade comes with predefined position limits that can be adjusted as needed.

Upper Limit

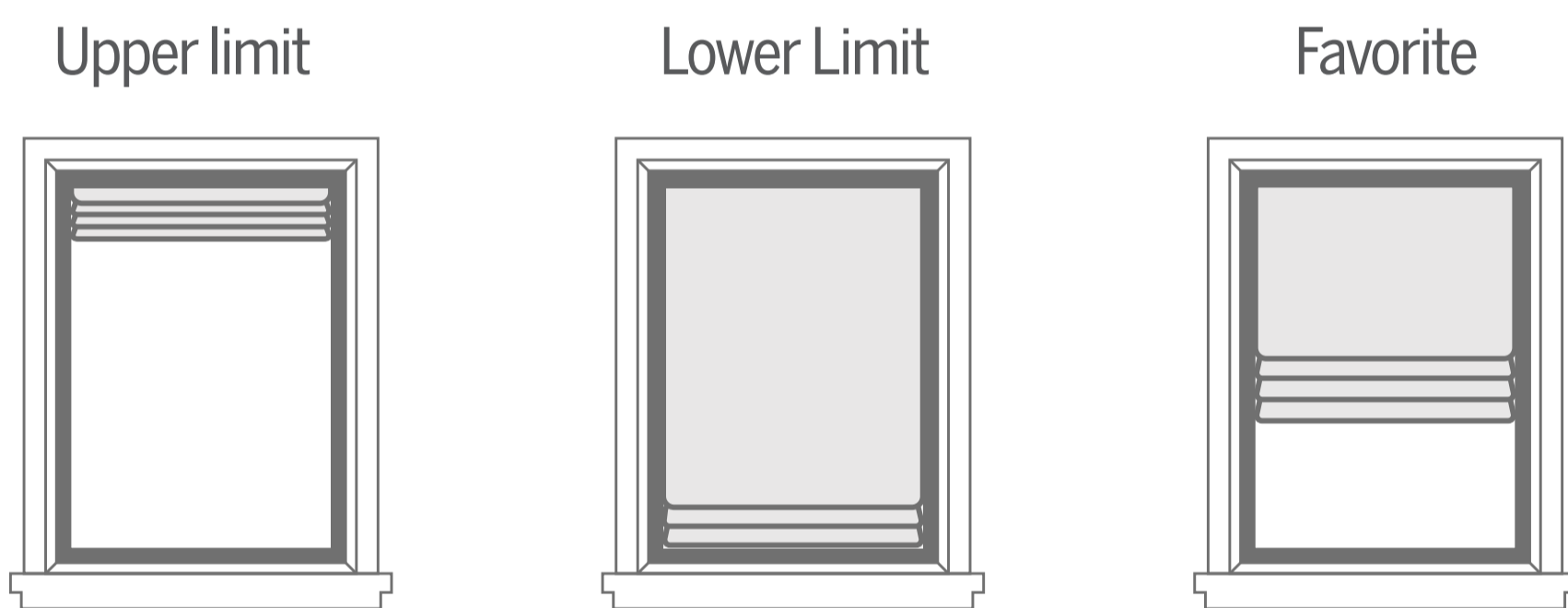
This is the highest position available which provides the best view and protects product from damage.

Lower Limit

This is the lowest position available which fully covers the window and matches the length requested at time of order.

Favorite Position

This is the preset position that is saved on the blind or shade and is set to the most popular position based on product category. Send to Favorite Position by holding the stop button.



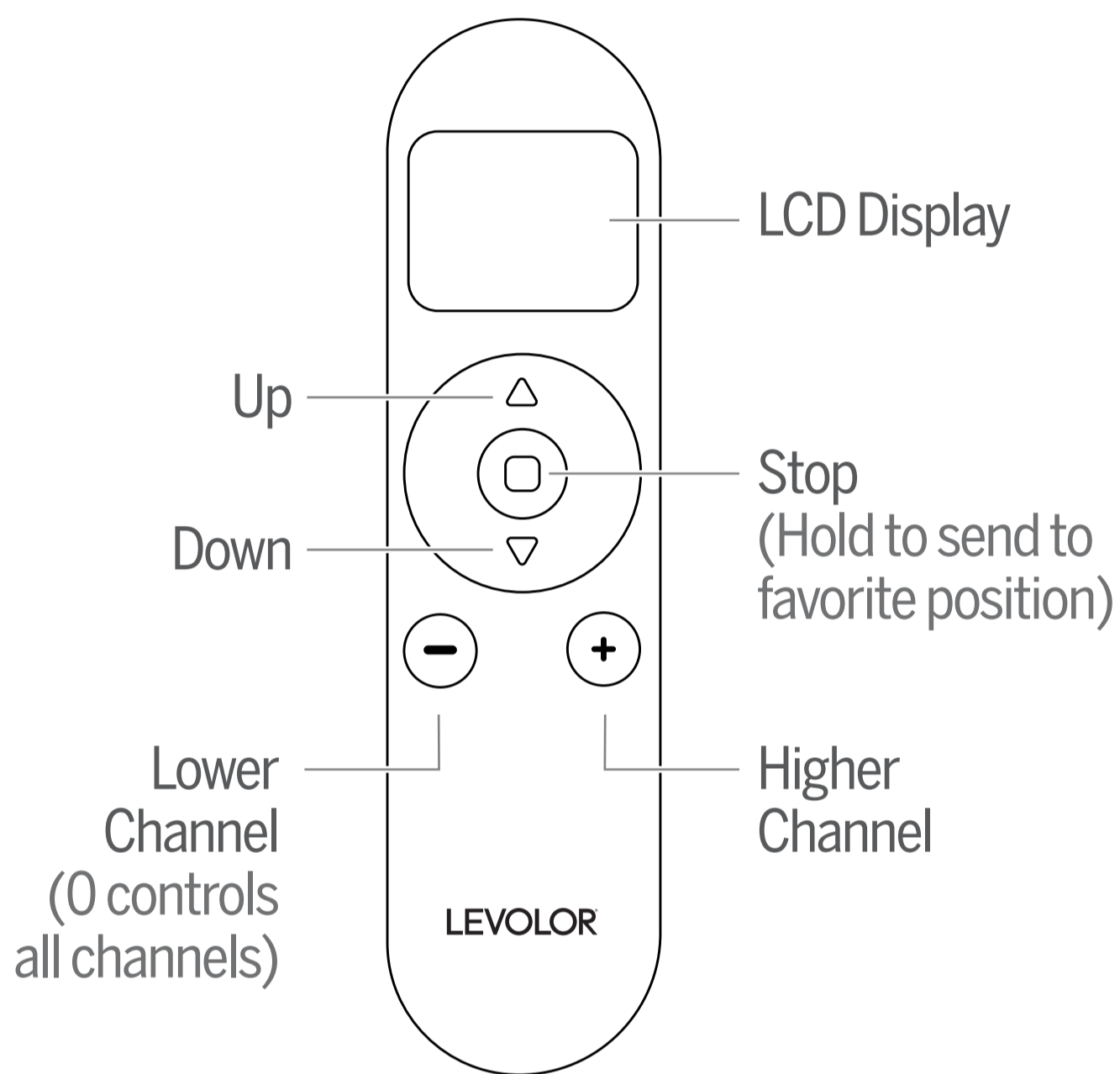
Product	Default Favorite Position
Banded Shades	Fully lowered, bands open
Cellular Shades : Bottom Up	50% lowered
Natural Shades	50% lowered
Roller Shades	50% lowered
Roman Shades	50% lowered
Sheer Shades	Fully lowered, vanes closed
Wood Blinds	Slats open 90 degrees

Remote Overview

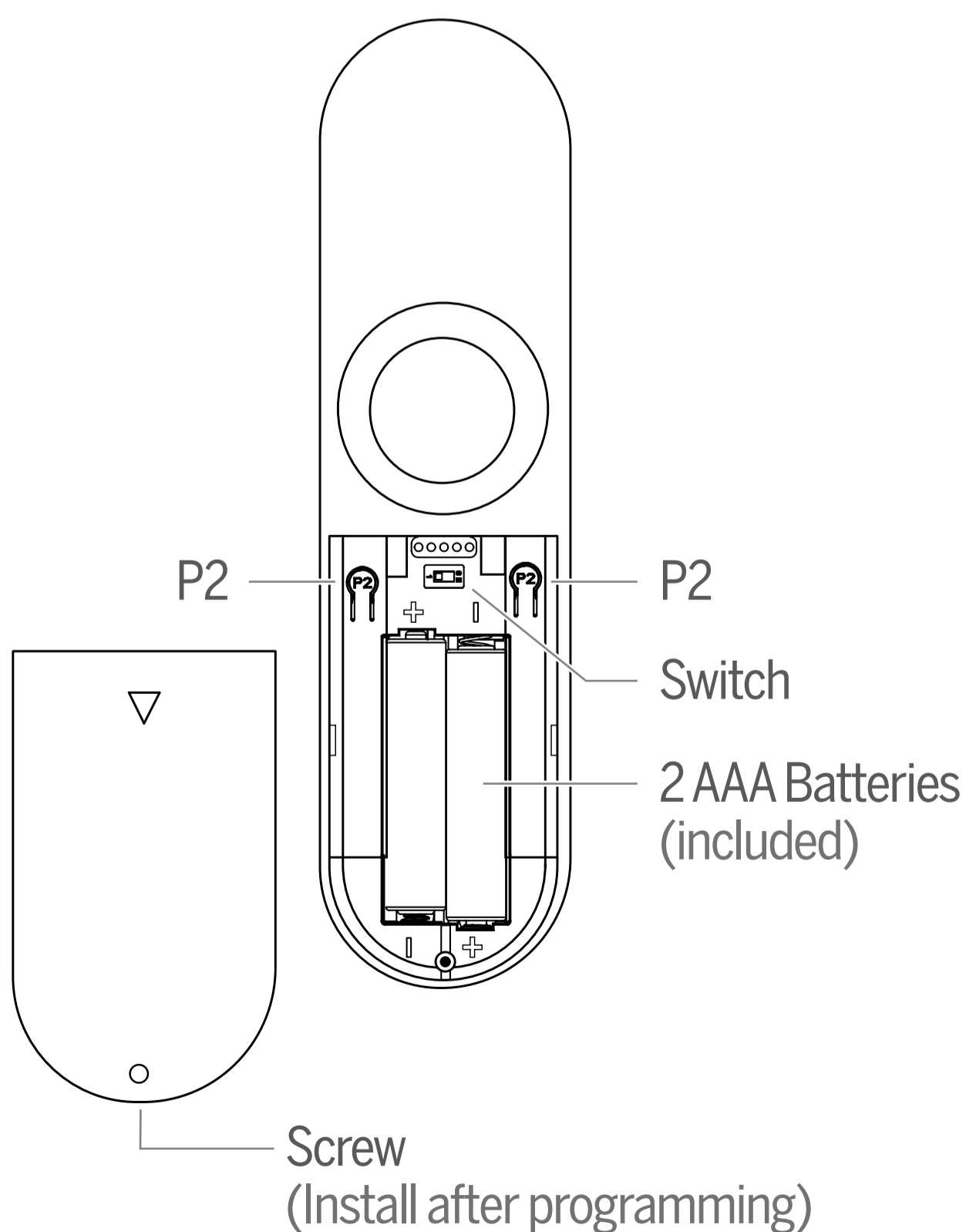
Remote Control

The LEVOLOR InMotion remote has 15 available channels and each channel can control up to 20 shades at once. This remote is designed to control bottom-up shades and tilt-only wood blinds.

Front View



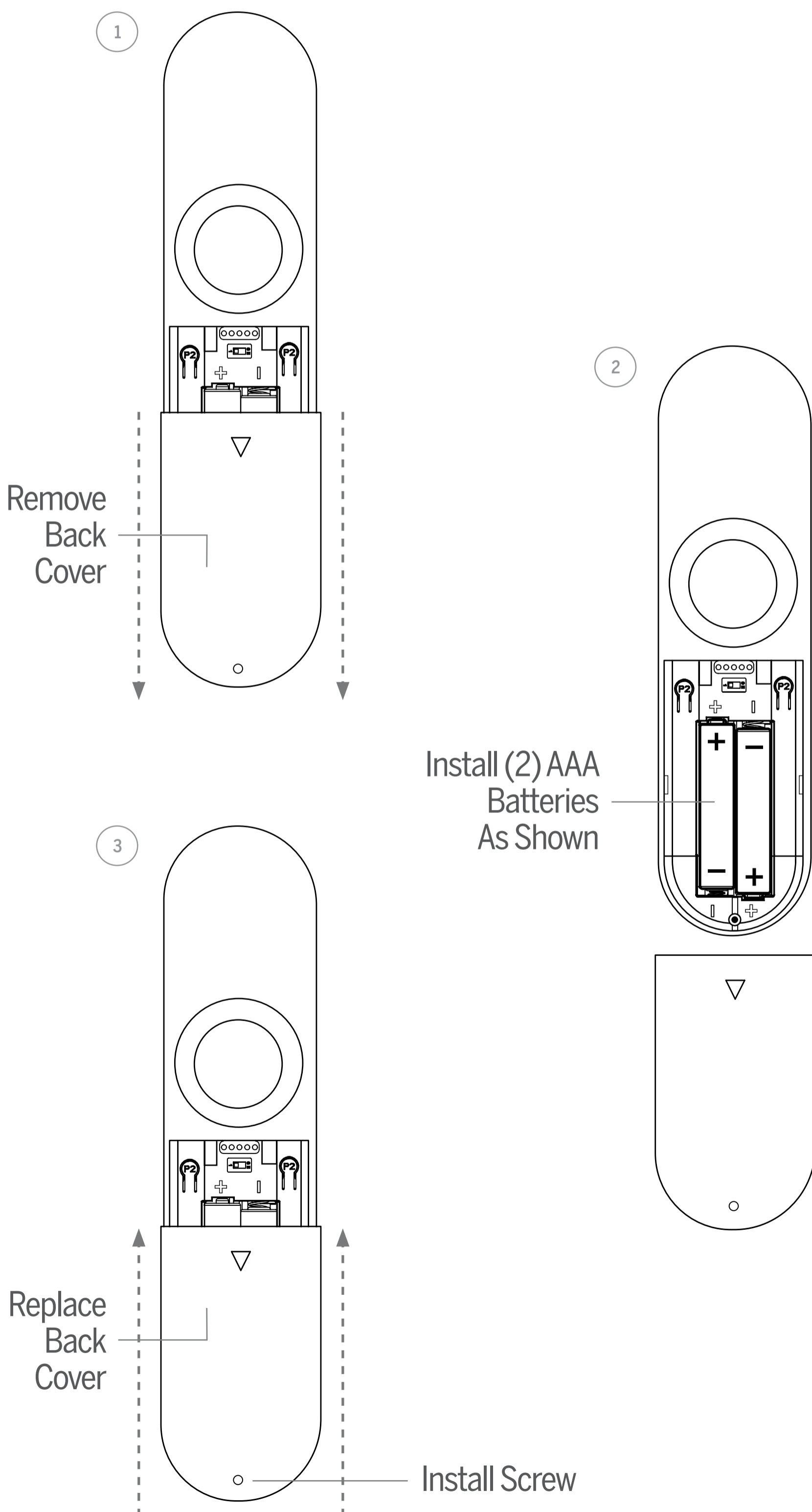
Back View



Remote Overview

Battery Installation

- 1 Gently press down on cover and slide to remove.
- 2 Install 2 AAA batteries (included). Align batteries as shown below.
- 3 Program your remote, replace the back cover and install closure screw.



Remote Overview

Wall Holder

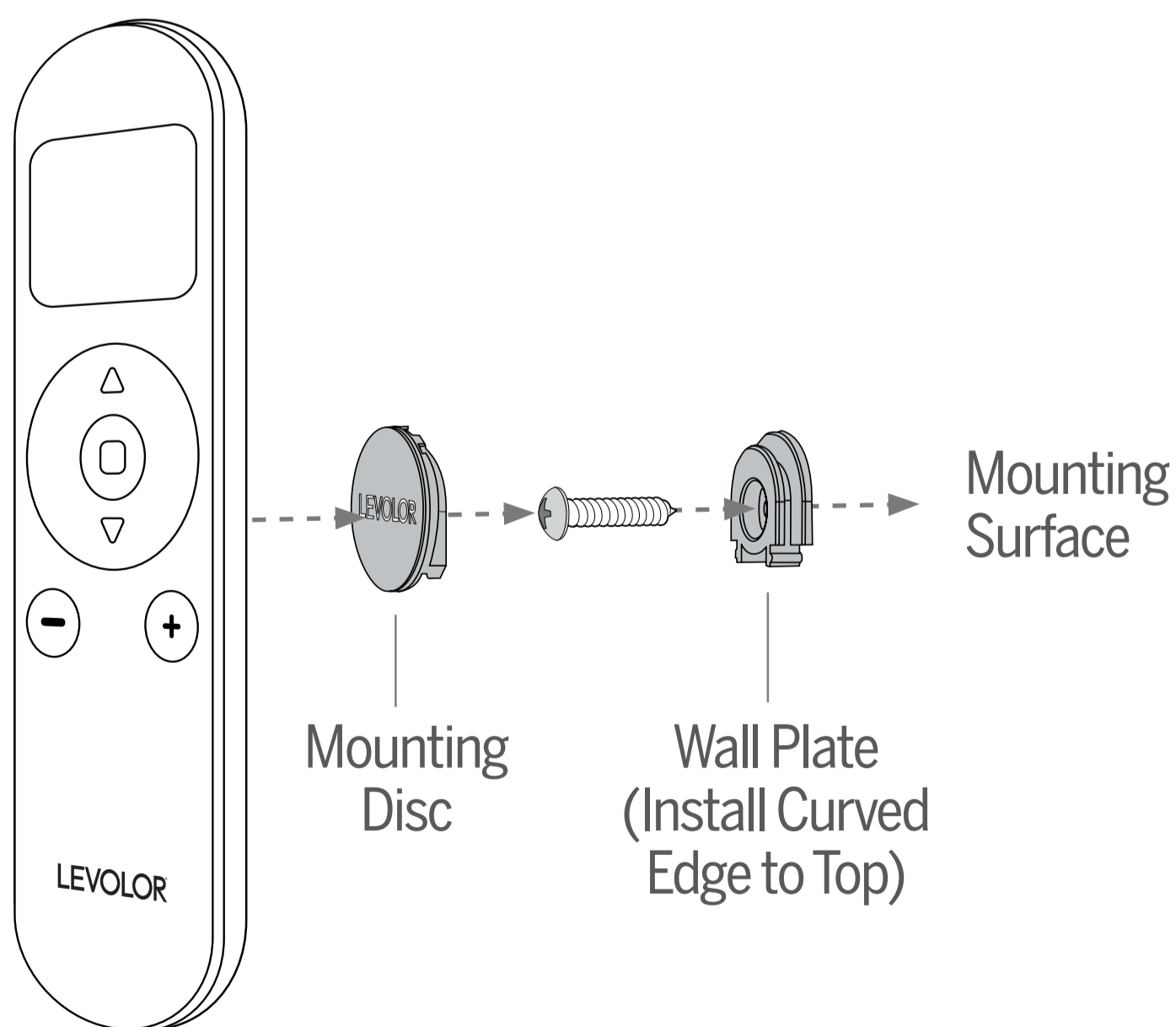
Provide a home for LEVOLOR remotes with the remote holder.

Tools Needed to Mount Remote Holder

- Power drill
- 3/32" drill bit
- Phillips screwdriver
- Pencil

Remote Holder Mounting Instructions

- 1 Choose location and mark wall plate placement.
- 2 If you are mounting onto wood, use a 3/32" drill bit to drill pilot hole. If you are mounting onto drywall, use the included drywall anchor.
- 3 Attach the wall plate to the wall using the screw provided; ensure the curved edge is on top.
- 4 Slide mounting disc over wall plate and snap into place.
- 5 Place remote on mounting disc and gently slide downward to seat remote onto holder.
- 6 Slide remote upward to remove from holder.



Programming

Getting Started

During programming, all blinds and shades will jog by moving slightly down and up. Banded, roller, and sheer shades will both jog and provide an audible beep.

Certain programming functions will affect all blinds and shades on the selected channel such as – favorite position, travel limits, operating mode, and motor speed. To program an individual blind or shade: pair to its own channel or put all other shades into sleep mode, or disconnect blinds from their batteries. Put shades to sleep by pressing the programming button for 6 seconds until the motor jogs x 2. Wake shades by pressing the programming button for less than 1 second.

Select a Channel

Use channel 0 to control all channels together.

- 1 Press the **-** button on the remote to select a lower channel.
- 2 Press the **+** button on the remote to select a higher channel.

Hide Unused Channels

- 1 Select a channel other than 0, then press and hold the **-** and **+** buttons simultaneously until remote control displays “C” then “15”, then release buttons.
- 2 Press the **-** or **+** buttons until the number of visible channels needed is shown (between 1 and 15).
- 3 Press the **□** stop button to confirm selection. The screen will display “o” once to confirm selection.

NOTE: Repeat steps 1-3 to unhide channels.

Programming

Pair Remote to Blind or Shade

- 1 Use the **-** and **+** buttons to select the channel to pair.
- 2 Press and hold the programming button on the motor (about 2 seconds) until the motor jogs x 1 and/or beeps x 1.
- 3 In the next 10 seconds, press and hold the **□** stop button on the remote until the motor jogs x 2 and/or beeps x 3.

NOTE: Repeat steps 1-3 to unpair remote.

Favorite Position

To send to favorite position, press and hold the **□** stop button.

Favorite position is preset, but can be reset to fit your needs. To create a new favorite position, you must first delete the existing favorite position.

This procedure will set the favorite position on all blinds and shades assigned to a channel.

Delete Favorite Position

- 1 Use the **-** and **+** buttons to select the channel to delete the favorite from.
- 2 Press one **P2** button in the battery compartment of the remote until motor jogs x 1 and/or beeps x 2.
- 3 Press and hold the **□** stop button on the remote until the motor jogs x 1 and/or beeps x 1.
- 4 Press and hold the **□** stop button on the remote again, until the motor jogs x 1 and/or long beeps x 1.

Set Favorite Position

- 1 Use the **△** up and **▽** down buttons to move blind or shade to the desired position.
- 2 Press one **P2** button in the battery compartment of the remote until motor jogs x 1 and/or beeps x 2.
- 3 Press and hold the **□** stop button on the remote until the motor jogs x 1 and/or beeps x 1.
- 4 Press and hold the **□** stop button on the remote again, until the motor jogs x 2 and/or beeps x 3.

Programming

Operating Mode

This procedure will set the operating mode on all blinds and shades assigned to a specific channel.

All blind and shade motors can be set to two different operating modes.

Continuous Mode (Default setting)

Recommended for cellular, natural, roller, and roman shades.

Motor continues to move after a short press of the Δ up or ∇ down arrow buttons until the \square stop button is pressed or until the limit is reached.

- 1 Press and hold (about 5 seconds) the Δ up and ∇ down buttons simultaneously until the motor jogs x 1.
- 2 Press and hold (about 2 seconds) the \square stop button until the motor jogs x 2 and/or beeps x 3.

Intermittent Mode

Recommended for banded shades, sheer shades, and wood blinds.

Motor moves a small amount after a short press of the Δ up or ∇ down buttons and continues to move after a long press of the Δ up or ∇ down buttons until the \square stop button is pressed or the limit is reached.

- 1 Press and hold (about 5 seconds) the Δ up and ∇ down buttons simultaneously until the motor jogs x 1.
- 2 Press and hold (about 2 seconds) the \square stop button until the motor jogs x 1 and/or beeps x 1.

Programming

Motor Speed

This procedure will set the motor speed on all blinds and shades assigned to a channel.

All motors have 3 speeds available and are set to the slowest speed by default.

Set to Faster Speed

- 1 Press one P2 button in the battery compartment of the remote until motor jogs x 1 and/or beeps x 1.
- 2 Press the Δ up button until the motor jogs x 1 and/or beeps x 1.
- 3 Press the Δ up button again until the motor jogs x 2 and/or beeps x 1.

Set to Slower Speed

- 1 Press one P2 button in the battery compartment of the remote until motor jogs x 1 and/or beeps x 1.
- 2 Press the ∇ down button until the motor jogs x 1 and/or beeps x 1.
- 3 Press the ∇ down button again until the motor jogs x 2 and/or beeps x 1.

NOTE: If the motor has no response, it is already on the fastest or slowest speed.

Programming

Travel Limits

This procedure will adjust the travel limits on all blinds and shades assigned to a channel.

Upper and lower travel limits are set at the factory during production to your order specification. Upon installation, adjustment of these limits may be necessary to better suit your needs.

Take care adjusting limits to avoid damage to product. Lower limits cannot be adjusted on sheer shades.

NOTE: If you exit programming before you finish adjusting the travel limits, the motor will take the previous limits..

Adjust the Upper Limit

- 1 Use the **-** and **+** buttons to select the appropriate channel.
- 2 Press and hold the **▲** up and **□** stop buttons simultaneously for about 5 seconds until the motor jogs x 1 and/or beeps x 1.
- 3 Use the **▲** up and **▼** down buttons to raise the blind or shade to the desired highest position.
- 4 Press and hold the **▲** up and **□** stop buttons simultaneously for about 5 seconds until the motor jogs x 2 and/or beeps x 3.

Adjust the Lower Limit

- 1 Use the **-** and **+** buttons to select the appropriate channel.
- 2 Press and hold the **▼** down and **□** stop buttons simultaneously for about 5 seconds until the motor jogs x 1 and/or beeps x 1.
- 3 Use the **▲** up and **▼** down buttons to lower the blind or shade to the desired lowest position.
- 4 Press and hold the **▼** down and **□** stop buttons simultaneously for about 5 seconds until the motor jogs x 2 and/or beeps x 3.

Programming

Disable Limit Setting

After all programming is complete, lock the remote to prevent accidental or unintended changes to motor direction, travel limits, and operating mode.

- 1 Remove cover from back of remote and locate the lock switch between the P2 buttons above batteries.
- 2 Move the switch to the left to lock. Remote will display "L" (lock).
- 3 Move the switch to the right to unlock and access all remote functions. Remote will display "U" (unlock).

Add or Remove Additional Remote

Channels can be copied to an additional remote as an exact duplicate of the current remote programming.

- 1 On the current remote, select the channel to copy then press one P2 button in the battery compartment of the remote until motor jogs x 1 and/or beeps x 1.
- 2 Once more, on the current remote, press one P2 button in the battery compartment of the remote until motor jogs x 1 and/or beeps x 1.
- 3 On the new remote, select the channel to copy to then press one P2 button in the battery compartment of the remote until motor jogs x 2 and/or beeps x 3.

NOTE: Repeat steps 1-3 to remove additional remote control.

Operation

Operating Instructions

Cellular, Natural, Roller, and Roman Shades

Once your shade has been paired with the remote, use the Δ up and ∇ down buttons to raise and lower the shade.

Press and hold the \square stop button to send to Favorite Position. Use channel 0 to operate all channels simultaneously.

Banded Shades

Once your shade has been paired with the remote, use the Δ up and ∇ down buttons to raise and lower the shade. Change to intermittent operating mode described on page 10 to easily adjust vane openness.

Press and hold the \square stop button to send to Favorite Position. Use channel 0 to operate all channels simultaneously.

Sheer Shades

Once your shade has been paired with the remote, use the Δ up and ∇ down buttons to raise and lower the shade. The vanes can be tilted once the shade has been fully lowered, by using the Δ up and ∇ down buttons. Change to intermittent operating mode described on page 10 to easily adjust vane openness.

Press and hold the \square stop button to send to Favorite Position. Use channel 0 to operate all channels simultaneously.

Wood Blinds

Once your blind has been paired with the remote, use the Δ up and ∇ down buttons to tilt the slats. Change to intermittent operating mode described on page 10 to easily tilt slats.

Press and hold the \square stop button to send to Favorite Position. Use channel 0 to operate all channels simultaneously.

Additional Information

Troubleshooting

Issue	Possible Cause	Solution
Motor has no response.	Battery in motor is depleted.	Recharge with included charger.
	Battery is inserted incorrectly into remote control.	Check battery polarity.
	Motor distance is too far from remote control.	Move remote control to a closer position.
	Blinds battery is disconnected.	Check connection from motor to battery is connected and active.
Motor beeps 10 times when in use.	Battery is low.	Recharge with included charger.
Motor operates opposite the remote direction.	N/A	Press and hold the programming button on the motor for about 10 seconds until the motor jogs x 3 and/or beeps x 3.
Cannot make changes to travel limits or operating mode.	Remote switch is locked.	Unlock switch in remote battery compartment. See page 13 for more information.
Cannot program a single motor (multiple motors respond).	Multiple motors are paired to the same channel.	Reserve each motor its own channel for programming functions.
		Place all other motors to sleep. See page 8 for more information.

Warranty

Visit [LEVOLOR.com/warranty](https://www.levolor.com/warranty) or call customer service at **1-800-LEVOLOR** for more information.

Customer Service

To contact customer service with an questions or concerns, you may reach us at **1-800-LEVOLOR** from 9:00 am - 6:00 PM EST or visit [LEVOLOR.com](https://www.levolor.com) anytime.

Additional Information

Specifications

Voltage	3V
Radio Frequency	433.92 MHz Bi-directional
Transmitting Power	10 milliwatt
Operating Temperature	14°F to 122°F (-10°C to 50°C)
RF Modulation	FSK
Lock Function	Yes
IP Rating	IP20
Transmission Distance	up to 200m (outdoor)

Declarations

U.S. Radio Frequency FCC Compliance

This device complies with Part 15 of the FCC Rules.

Operation is subject to the following two conditions:

- (1) This device may not cause harmful interference, and
- (2) This device must accept any interference received, including interference that may cause undesired operation.

This equipment has been tested and found to comply with the limits for a Class B digital device, pursuant to Part 15 of the FCC Rules. These limits are designed to provide reasonable protection against harmful interference in a residential installation. This equipment generates, uses, and can radiate radio frequency energy and, if not installed and used in accordance with the instructions, may cause harmful interference to radio communications. However, there is no guarantee that interference will not occur in a particular installation. If this equipment does cause harmful interference to radio or television reception, which can be determined by turning the equipment off and on, the user is encouraged to try to correct the interference by one or more of the following measures:

- Reorient or relocate the receiving antenna.
- Increase the separation between the equipment and receiver.
- Connect the equipment into an outlet on a circuit different from that to which the receiver is connected.
- Consult the dealer or an experienced radio/TV technician for help.

Any Changes or modifications not expressly approved by the party responsible for compliance could void the user's authority to operate the equipment.

Additional Information

ISED RSS Warning

This device complies with Innovation, Science and Economic Development Canada licence-exempt RSS standard(s). Operation is subject to the following two conditions:

- (1) this device may not cause interference, and
- (2) this device must accept any interference, including interference that may cause undesired operation of the device.

Le présent appareil est conforme aux CNR d'ISED applicables aux appareils radio exempts de licence. L'exploitation est autorisée aux deux conditions suivantes:
(1) l'appareil ne doit pas produire de brouillage, et
(2) l'utilisateur de l'appareil doit accepter tout brouillage radioélectrique subi, même si le brouillage est susceptible d'en compromettre le fonctionnement.